

1/4" SQUARE / SINGLE-TURN / CERMET INDUSTRIAL / SEALED

- Miniature industrial single-turn
- 5 standard terminal styles
- Vertical and horizontal adjust types available
- Rotor designed for automatic machine adjust interface
- For tape and reel, see Model 3362

BOURNS

Model 3323

Bourns® Trimming Potentiometer

Electrical Characteristics

Standard Resistance Range
 20 to 2,000,000 ohms
 (see standard resistance table)
 Resistance Tolerance . . . ± 20% std.
 (closer tolerance available)
 Absolute Minimum Resistance
 1% or 2 ohms
 (whichever is greater)
 Contact Resistance Variation
 1.0% or 3 ohms
 (whichever is greater)

Adjustability

Voltage ± 0.05%
 Resistance ± 0.15%
 Resolution Infinite
 Insulation Resistance 500 vdc.
 1,000 megohms min.

Dielectric Strength

Sea Level 900 vac
 80,000 350 vac
 Adjustment Angle 240° nom.

Environmental Characteristics

Power Rating (300 volts max.)
 70°C 0.5 watt
 125°C 0 watt
 Temperature Range
 -55°C to +125°C
 Temperature Coefficient
 ± 100ppm/°C max.

Seal Test 85° C Fluorinert*
 Humidity . . MIL-STD-202 Method 103
 96 hours

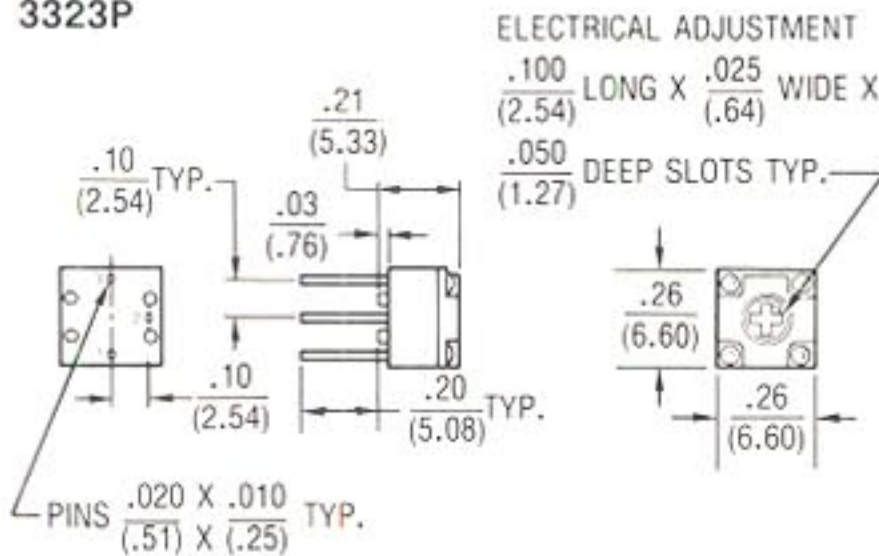
(2% ΔTR, 10 Megohms IR)
 Vibration . . . 30G (1% ΔTR, 1% ΔVR)
 Shock . . . 100G (1% ΔTR, 1% ΔVR)
 Load Life

..... 1,000 hours 0.5 watt @ 70°C
 (3% ΔTR, 3% CRV)
 Mechanical Life 200 cycles
 (4% ΔTR, 3% CRV)

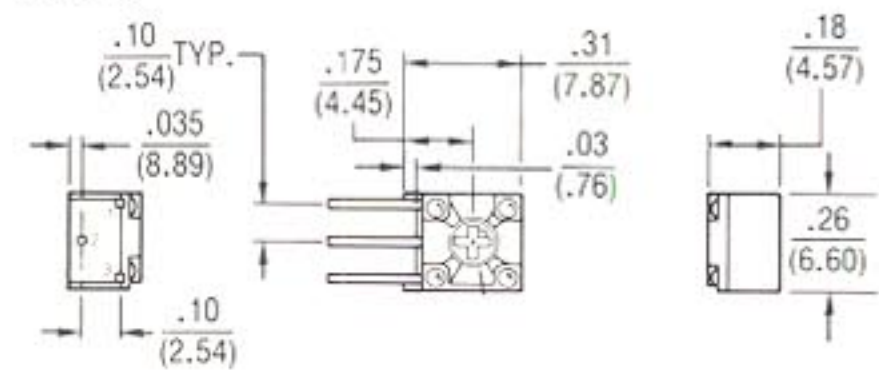
Physical Characteristics

Mechanical Angle 270° nom.
 Torque 5.0 oz-in. max.
 Stop Strength 10.0 oz-in. min.
 Terminals Solderable pins
 Weight 0.02 oz.
 Flammability UL94V-0
 Marking Manufacturer's
 trademark, resistance code,
 terminal numbers, date code
 on packaging, manufacturer's
 model number and style

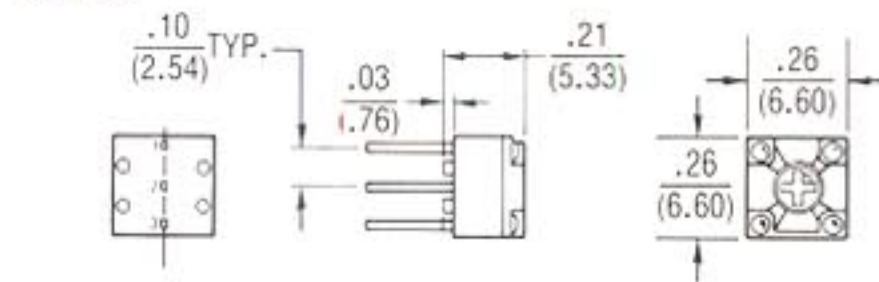
3323P



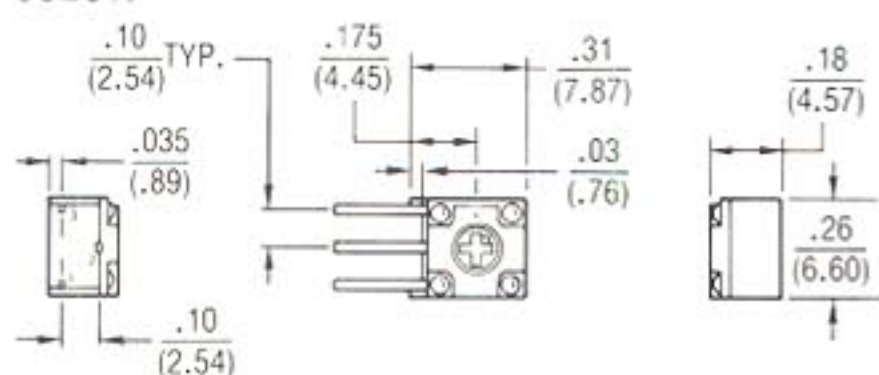
3323S



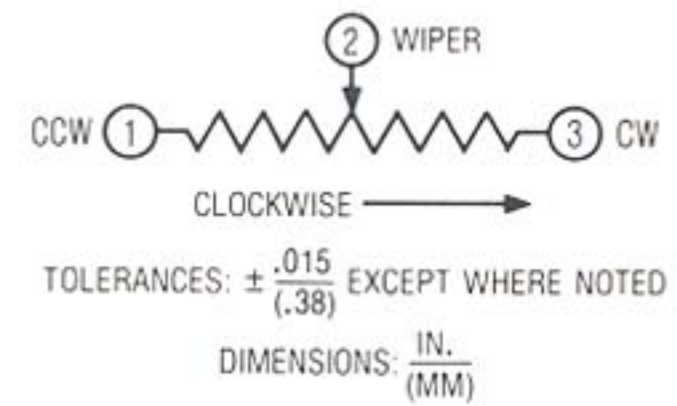
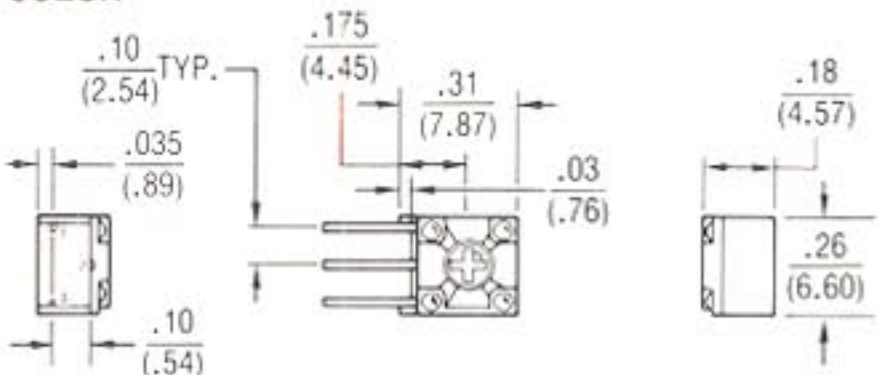
3323U



3323W



3323X

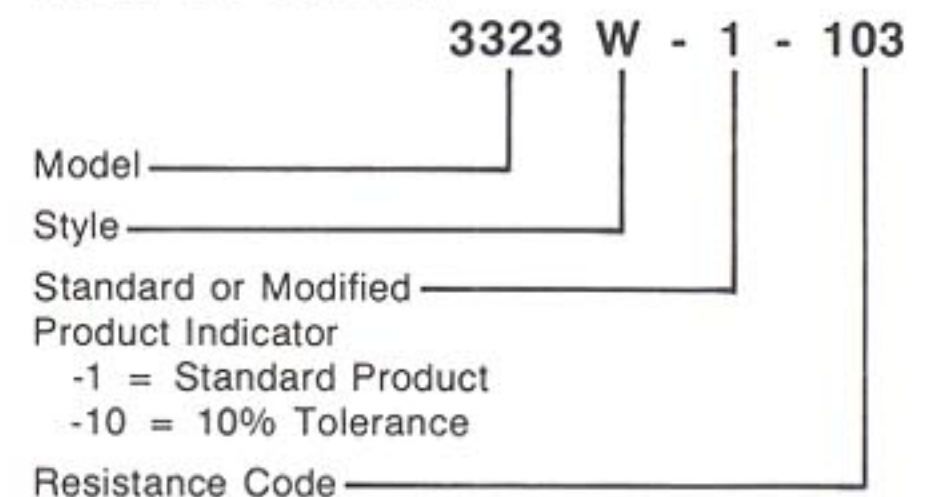


STANDARD RESISTANCE TABLE

Resistance (Ohms)	Resistance Code
20	200
50	500
100	101
200	201
500	501
1,000	102
2,000	202
5,000	502
10,000	103
20,000	203
25,000	253
50,000	503
100,000	104
200,000	204
250,000	254
500,000	504
1,000,000	105
2,000,000	205

Special resistances available from 20 ohms to 2,000,000 ohms.

HOW TO ORDER



Consult factory for other available options.

OBSOLETE

Specifications are subject to change without notice.
 **Fluorinert® is a registered trademark of 3M Co.