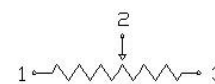
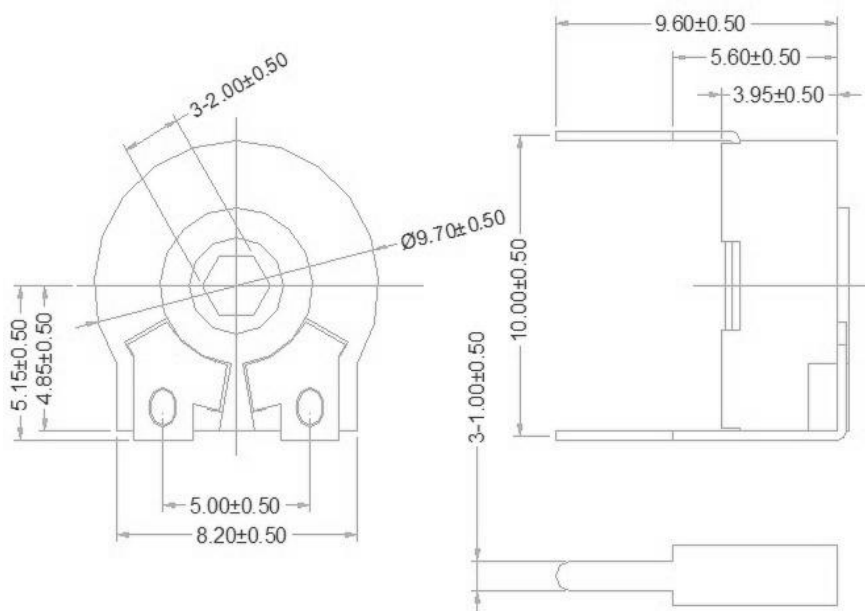


# VTR-A-PT10 10mm Carbon Trimming Potentiometer

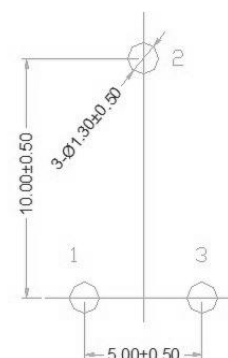
Electrical Characteristics		CLIMATIC CHARACTERISTICS	
Standard Resistance Range	200Ω - 4.7MΩ	Operating Temp.	-25°C-70°C
Resistance Tolerance	±10%; ±20% ; ±30%	Temp.Characteristics	Resistance change within +5 - 30% after 5 hours at 70°C
Residual Resistance	Max.5% of Nominal Resistance, but under 30Ω	Humidity Char.	Max resistance change within ±20% after 350 hours loaded at 40°C and R.H.90%.
Resistance Taper	A(Linear), B(log),C(Alog)	<b>SOLDERING CONDITIONS</b>	
Rated Power	(A) 0.15W; (B.C):0.07W		
Operating Voltage	(A)250VDC: (B.C)125VDC	Temperature	260°C
Rotational Life	10000 - 50000 turns;	Time	3seconds
MECHANICAL CHARACTERISTICS			
Mechanical Rotational Angle			235° ± 5°
Rotational Torque			20-200g.cm.
Stop-end Strength			400g.cm minimum

## PT10V1



CIRCUIT

### RECOMMEND P.C.B LAYOUT

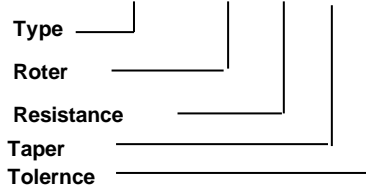


# VTR-A-PT10 10mm Carbon Trimming Potentiometer

## Size Characters and How to Order

### How To Order

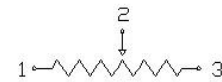
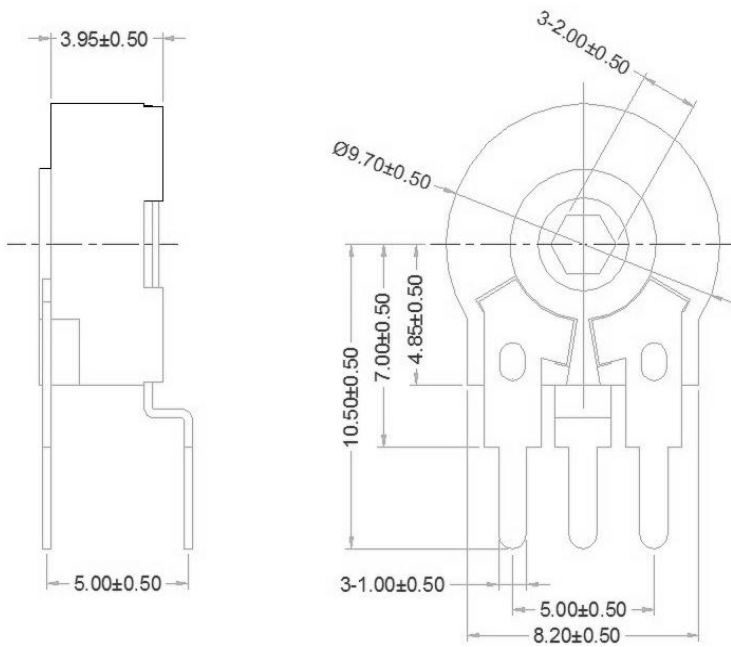
**VTR-A-PT10H1 - K - 103 - A -10**



### Rotor Types:

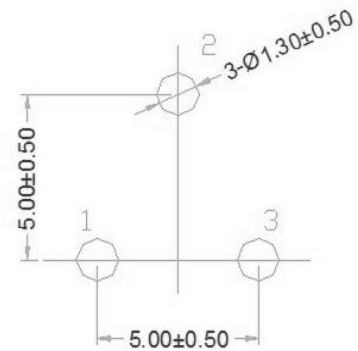
Rotor					
	H	S	K	R	A

### PT10H1

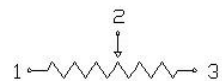
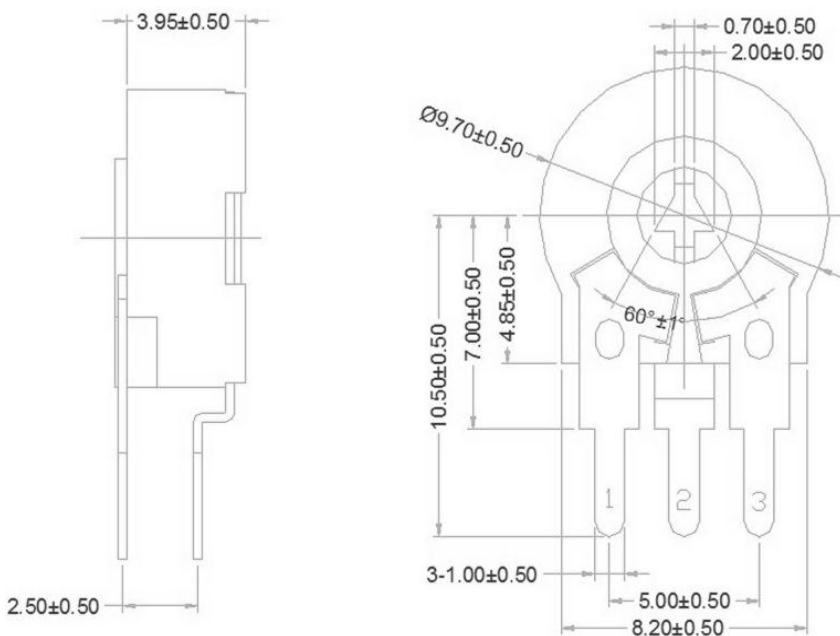


CIRCUIT

### RECOMMEND P.C.B LAYOUT

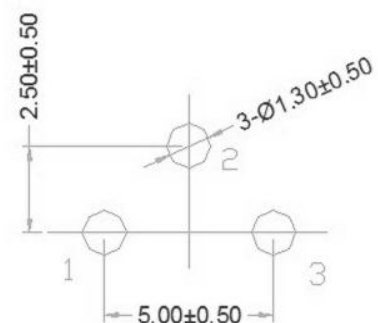


### PT10H2



CIRCUIT

### RECOMMEND P.C.B LAYOUT



# VTR-A-PT10 10mm Carbon Trimming Potentiometer

Shaft Types:

